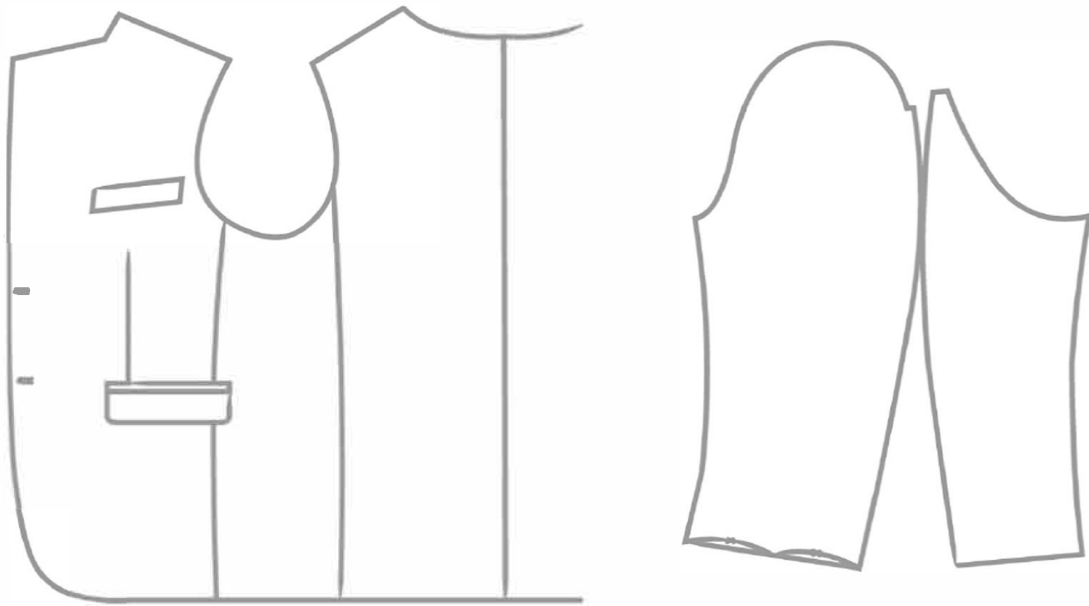


Fit Tool Spec Charts

Slim Fit | Centimeters



REGULAR

Suit Euro	Jacket Inch	Trousers Inch
42	34R	28R
44	35R	30R
46	37R	32R
48	38R	33R
50	40R	34R
52	42R	36R
54	43R	38R
56	44R	40R
58	46R	41R
60	48R	42R
62	50R	44R
64	51R	46R
66	52R	47R
68	54R	48R
70	55R	50R

LONG

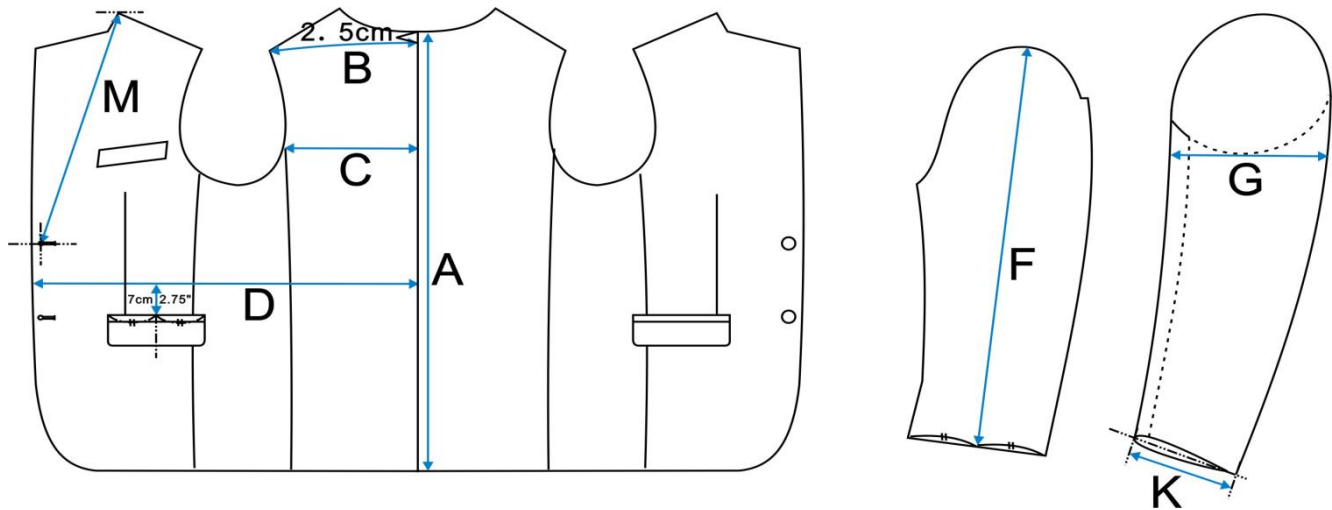
Suit Euro	Jacket Inch	Trousers Inch
82	34L	28L
86	35L	29L
90	37L	32L
94	38L	33L
98	40L	34L
102	42L	36L
106	43L	38L
110	44L	40L
114	46L	41L
118	48L	42L
122	50L	44L
126	51L	46L
130	52L	47L
134	54L	48L
138	55L	50L

SHORT

Suit Euro	Jacket Inch	Trousers Inch
20	32S	28S
21	34S	30S
22	35S	32S
23	37S	33S
24	38S	34S
25	40S	36S
26	42S	38S
27	43S	40S
28	44S	41S
29	46S	42S
30	48S	44S
31	50S	46S
32	51S	47S
33	52S	48S
34	54S	50S
35	55S	52S

JACKET | SLIM FIT | REGULAR LENGTH

Size Euro / Inch	A Back Length	B 1/2 Shoulder	C 1/2 Blades	D 1/2 Girth	F Sleeve Outside*	*G 1/2 Upperarm	*K 1/2 Cuff	*M Top Button *
42 / 34R	72.0	20.7	20.6	43.5	60.6	19.2	13.8	42.3
44 / 35R	73.0	21.2	21.2	45.5	61.5	19.6	14.0	43.0
46 / 37R	74.0	21.8	21.8	47.5	62.3	20.1	14.2	43.7
48 / 38R	75.0	22.3	22.4	49.5	63.2	20.5	14.4	44.4
50 / 40R	76.0	22.8	23.0	51.5	64.0	21.0	14.6	45.1
52 / 42R	77.0	23.4	23.6	53.5	64.9	21.4	14.8	45.8
54 / 43R	78.0	23.9	24.2	55.5	65.7	21.9	15.0	46.5
56 / 44R	79.0	24.4	24.8	57.5	66.6	22.3	15.2	47.2
58 / 46R	80.0	24.9	25.4	59.5	67.4	22.8	15.4	47.9
60 / 48R	81.0	25.5	26.0	61.5	68.3	23.2	15.6	48.6
62 / 50R	81.5	26.0	26.6	63.5	68.6	23.7	15.8	49.3
64 / 51R	82.0	26.5	27.2	65.5	69.0	24.1	16.0	50.0
66 / 52R	82.5	27.1	27.8	67.5	69.3	24.6	16.2	50.7
68 / 54R	83.0	27.6	28.4	69.5	69.6	25.0	16.4	51.4
70 / 55R	83.5	28.1	29.0	71.5	70.0	25.5	16.6	52.1

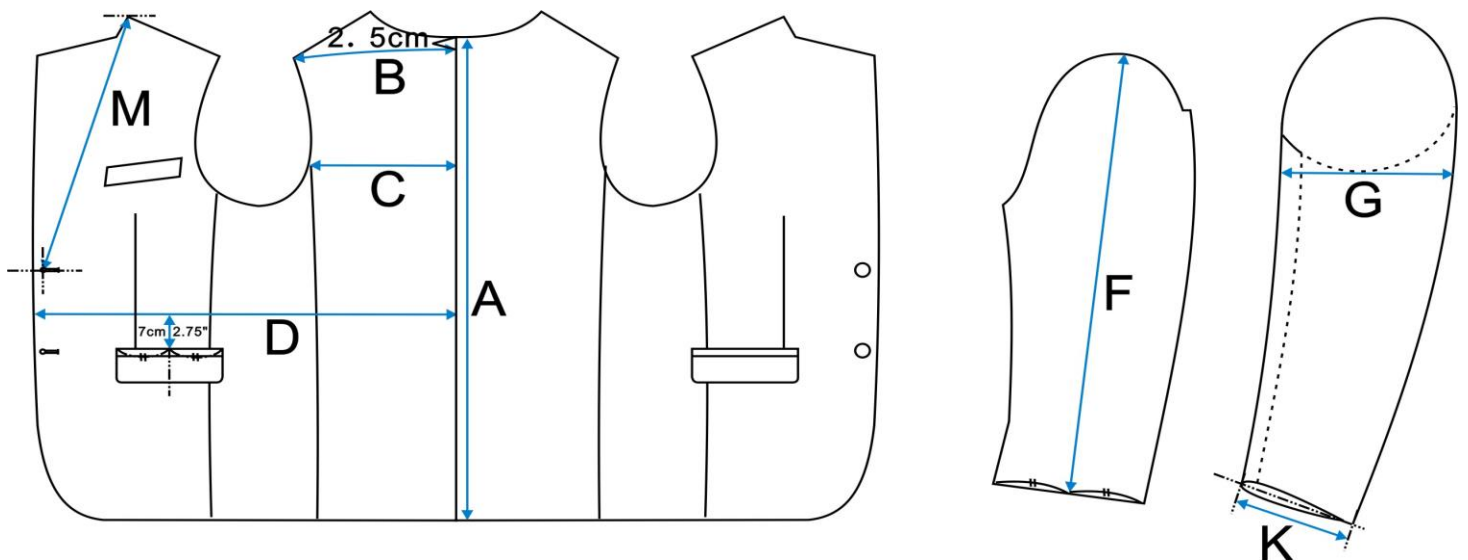


* Sleeve Length Outside Adjustment Considerations
Soft shoulder -3mm
Roped shoulder +3mm
Unconstructed shoulder -3mm
Pleated shoulder +3mm

* Top Button Position Adjustment Considerations
Coat Length Adj. = 50% Effect
1 Button: + 2.5cm
3 Button: - 9cm 2.5 Button: - 2.5cm
DB 4/6 Button: + 3cm DB 2 Button: + 6cm

JACKET | SLIM FIT | LONG LENGTH

Size Euro / Inch	A Back Length	B 1/2 Shoulder	C 1/2 Blades	D 1/2 Girth	F Sleeve Outside*	*G 1/2 Upperarm	*K 1/2 Cuff	*M Top Button *
82 / 34L	75.0	20.7	20.6	42.5	63.1	19.2	13.8	43.3
86 / 35L	76.0	21.2	21.2	44.5	64.0	19.6	14.0	44.0
90 / 37L	77.0	21.8	21.8	46.5	64.8	20.1	14.2	44.7
94 / 38L	78.0	22.3	22.4	48.5	65.7	20.5	14.4	45.4
98 / 40L	79.0	22.8	23.0	50.5	66.5	21.0	14.6	46.1
102 / 42L	80.0	23.4	23.6	52.5	67.4	21.4	14.8	46.8
106 / 43L	81.0	23.9	24.2	54.5	68.2	21.9	15.0	47.5
110 / 44L	82.0	24.4	24.8	56.5	69.1	22.3	15.2	48.2
114 / 46L	83.0	24.9	25.4	58.5	69.9	22.8	15.4	48.9
118 / 48L	84.0	25.5	26.0	60.5	70.8	23.2	15.6	49.6
122 / 50L	84.5	26.0	26.6	62.5	71.1	23.7	15.8	50.3
126 / 51L	85.0	26.5	27.2	64.5	71.5	24.1	16.0	51.0
130 / 52L	85.5	27.1	27.8	66.5	71.8	24.6	16.2	51.7
134 / 54L	86.0	27.6	28.4	68.5	72.1	25.0	16.4	52.4
138 / 55L	86.5	28.1	29.0	70.5	72.5	25.5	16.6	53.1

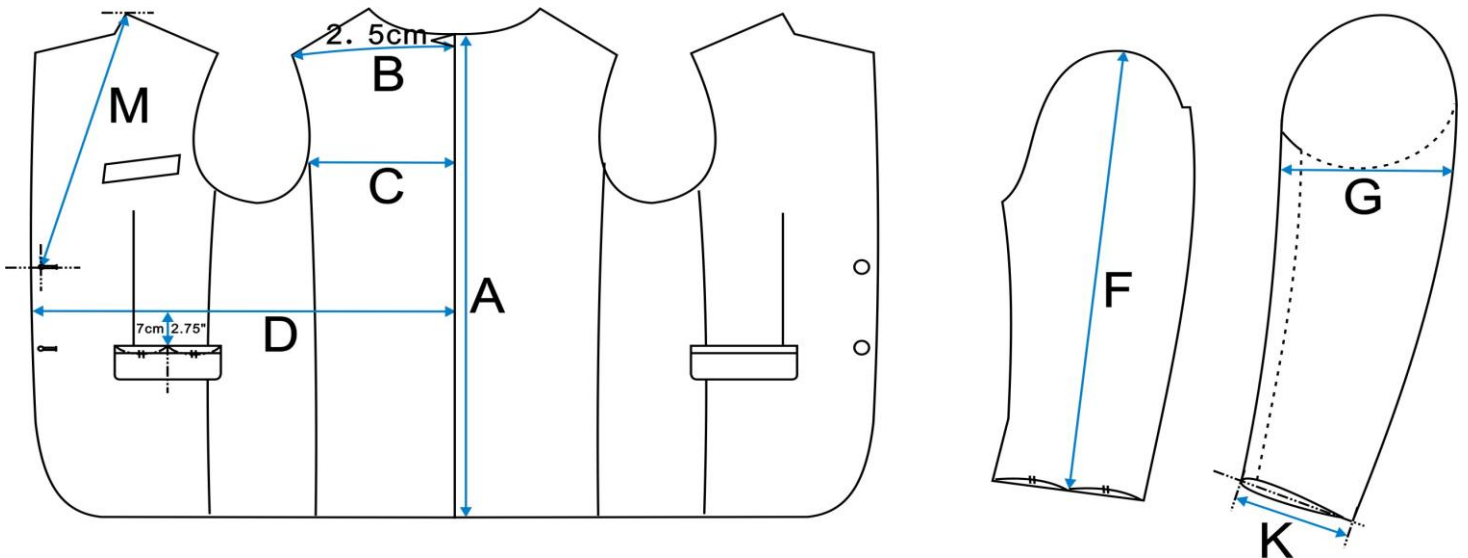


* Sleeve Length Outside Adjustment Considerations
Soft shoulder -3mm (1/8")
Roped shoulder +3mm
Unconstructed shoulder -3mm
Pleated shoulder +3mm

* Top Button Position Adjustment Considerations
Coat Length Adj. = 50% Effect
1 Button: + 2.5cm
3 Button: - 9cm 2.5 Button: - 2.5cm
DB 4/6 Button: + 3cm DB 2 Button: + 6cm

JACKET | SLIM FIT | SHORT LENGTH

Size Euro / Inch	A Back Length	B 1/2 Shoulder	C 1/2 Blades	D 1/2 Girth	F Sleeve Outside*	*G 1/2 Upperarm	*K 1/2 Cuff	*M Top Button *
20 / 32S	68.0	20.2	17.7	43.5	57.3	18.7	13.6	40.6
21 / 34S	69.0	20.7	18.8	45.5	58.1	19.2	13.8	41.3
22 / 35S	70.0	21.2	19.8	47.5	59.0	19.6	14.0	42.0
23 / 37S	71.0	21.8	20.9	49.5	59.8	20.1	14.2	42.7
24 / 38S	72.0	22.3	21.9	51.5	60.7	20.5	14.4	43.4
25 / 40S	73.0	22.8	23.0	53.5	61.5	21.0	14.6	44.1
26 / 42S	74.0	23.4	23.6	55.5	62.4	21.4	14.8	44.8
27 / 43S	75.0	23.9	24.2	57.5	63.2	21.9	15.0	45.5
28 / 44S	76.0	24.4	24.8	59.5	64.1	22.3	15.2	46.2
29 / 46S	77.0	24.9	25.4	61.5	64.9	22.8	15.4	46.9
30 / 48S	78.0	25.5	26.0	63.5	65.8	23.2	15.6	47.6
31 / 50S	78.5	26.0	26.6	65.5	66.1	23.7	15.8	48.3
32 / 51S	79.0	26.5	27.2	67.5	66.5	24.1	16.0	49.0
33 / 52S	79.5	27.1	27.8	69.5	66.8	24.6	16.2	49.7
34 / 54S	80.0	27.6	28.4	71.5	67.2	25.0	16.4	50.4
35 / 55S	80.5	28.1	29.0	73.5	67.5	25.5	16.6	51.1



*** Sleeve Length Outside
Adjustment Considerations**

Soft shoulder -3mm (1/8")

Roped shoulder +3mm

Unconstructed shoulder -3mm

Pleated shoulder +3mm

*** Top Button Position
Adjustment Considerations**

Coat Length Adj. = 50% Effect

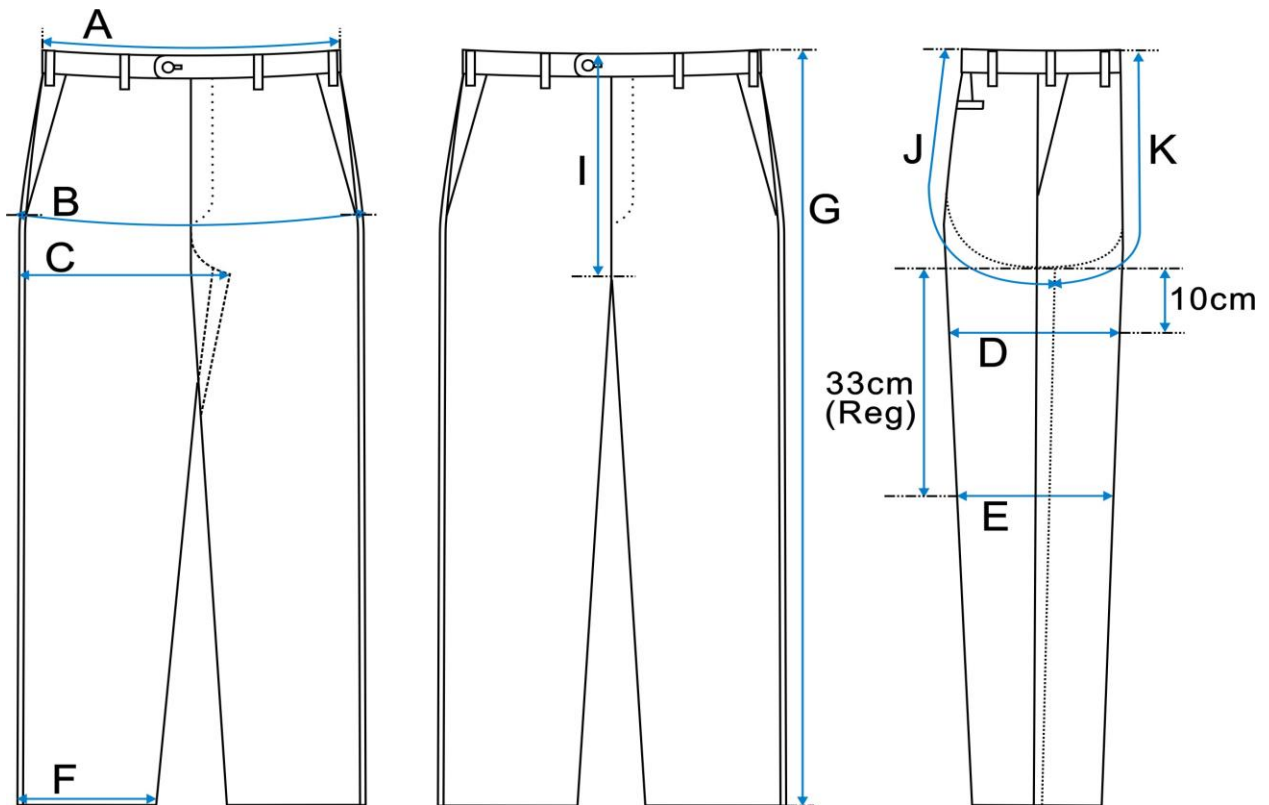
1 Button: + 2.5cm

3 Button: - 9cm 2.5 Button: - 2.5cm

DB 4/6 Button: + 3cm DB 2 Button: + 6cm

TROUSER | SLIM FIT | REGULAR LENGTH

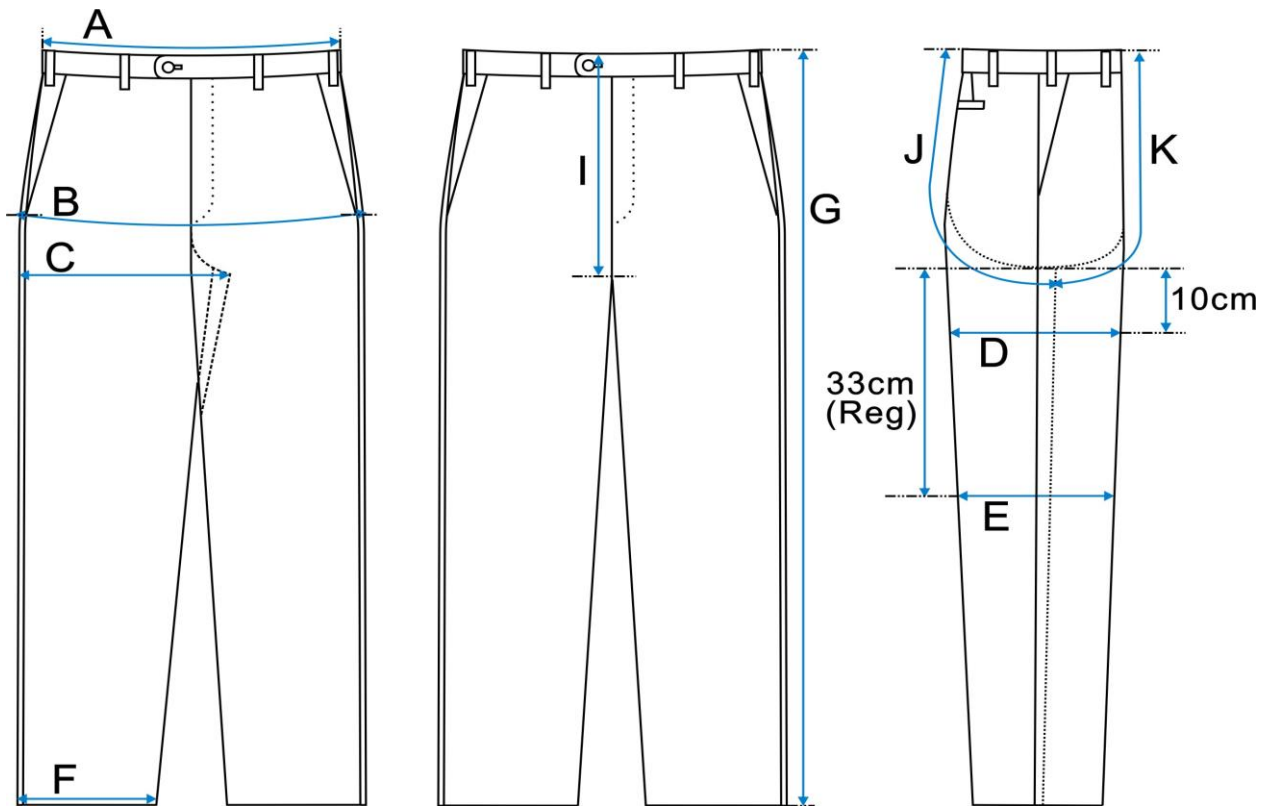
Size Euro / Inch	A 1/2 Waist	*B 1/2 Seat	*C 1/2 Crotch	*D 1/2 Thigh	*E 1/2 Knee	F 1/2 Foot	G Outseam Incl. WB	*I Rise	*K Front Rise	*J Back Rise
42 / 28R	37.0	46.0	30.6	27.7	21.8	18.5	98.5	20.5	21.9	37.5
44 / 30R	39.0	48.0	31.7	28.6	22.4	19.0	99.8	20.8	22.2	38.5
46 / 32R	41.0	50.0	32.7	29.5	23.0	19.5	101.1	21.1	22.5	39.4
48 / 33R	43.0	52.0	33.8	30.4	23.6	20.0	102.4	21.4	22.8	40.4
50 / 34R	45.0	54.0	34.8	31.3	24.2	20.5	103.7	21.7	23.1	41.4
52 / 36R	47.0	56.0	35.9	32.2	24.8	21.0	105.0	22.0	23.4	42.3
54 / 38R	49.0	58.0	36.9	33.1	25.4	21.5	106.3	22.3	23.7	43.3
56 / 40R	51.0	60.0	38.0	34.0	26.0	22.0	107.6	22.6	24.0	44.2
58 / 41R	53.0	62.0	39.0	34.9	26.6	22.5	108.9	22.9	24.3	45.2
60 / 42R	55.0	64.0	40.1	35.8	27.2	23.0	110.2	23.2	24.6	46.2
62 / 44R	57.0	66.0	41.1	36.7	27.8	23.5	110.5	23.5	24.9	47.1
64 / 46R	59.0	68.0	42.2	37.6	28.4	24.0	110.8	23.8	25.2	48.1
66 / 47R	61.0	70.0	43.2	38.5	29.0	24.5	111.1	24.1	25.5	49.0
68 / 48R	63.0	72.0	44.3	39.4	29.6	25.0	111.4	24.4	25.8	50.0
70 / 50R	65.0	74.0	45.3	40.3	30.2	25.5	111.7	24.7	26.1	51.0



E: Size 50/34R S:30cm R:33cm L:35cm
adjust value 0.5cm per size increment

TROUSER | SLIM FIT | LONG LENGTH

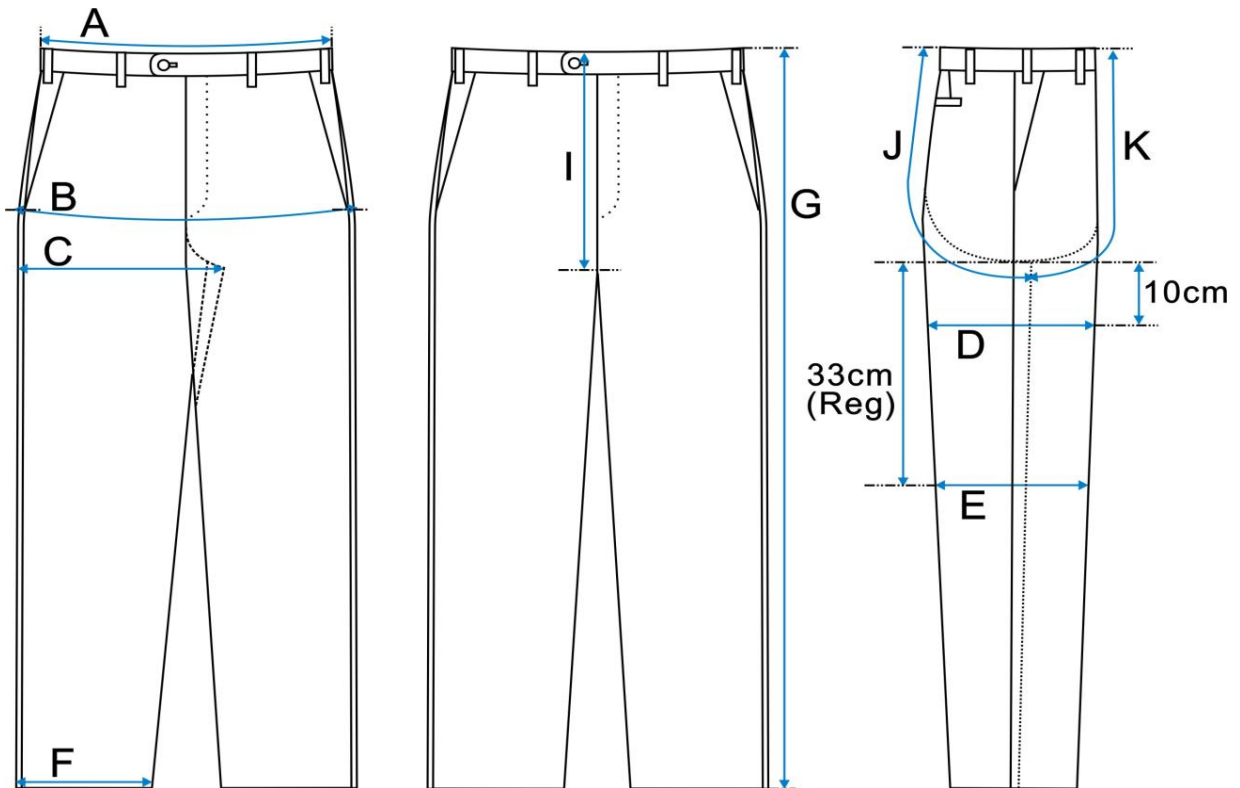
Size Euro / Inch	A 1/2 Waist	*B 1/2 Seat	*C 1/2 Crotch	*D 1/2 Thigh	*E 1/2 Knee	F 1/2 Foot	G Outseam Incl. WB	*I Rise	*K Front Rise	*J Back Rise
82 / 28L	36.0	45.0	30.1	27.3	21.6	18.3	103.0	21.0	22.4	38.0
86 / 29L	38.0	47.0	31.2	28.2	22.2	18.8	104.3	21.3	22.7	39.0
90 / 32L	40.0	49.0	32.2	29.1	22.8	19.3	105.6	21.6	23.0	39.9
94 / 33L	42.0	51.0	33.3	30.0	23.4	19.8	106.9	21.9	23.3	40.9
98 / 34L	44.0	53.0	34.3	30.9	24.0	20.3	108.2	22.2	23.6	41.9
102 / 36L	46.0	55.0	35.4	31.8	24.6	20.8	109.5	22.5	23.9	42.8
106 / 38L	48.0	57.0	36.4	32.7	25.2	21.3	110.8	22.8	24.2	43.8
110 / 40L	50.0	59.0	37.5	33.6	25.8	21.8	112.1	23.1	24.5	44.7
114 / 41L	52.0	61.0	38.5	34.5	26.4	22.3	113.4	23.4	24.8	45.7
118 / 42L	54.0	63.0	39.6	35.4	27.0	22.8	114.7	23.7	25.1	46.7
122 / 44L	56.0	65.0	40.6	36.3	27.6	23.3	115.0	24.0	25.4	47.6
126 / 46L	58.0	67.0	41.7	37.2	28.2	23.8	115.3	24.3	25.7	48.6
130 / 47L	60.0	69.0	42.7	38.1	28.8	24.3	115.6	24.6	26.0	49.5
134 / 48L	62.0	71.0	43.8	39.0	29.4	24.8	115.9	24.9	26.3	50.5
138 / 50L	64.0	73.0	44.8	39.9	30.0	25.3	116.2	25.2	26.6	51.5



E: Size 50/34R S:30cm R:33cm L:35cm
adjust value 0.5cm per size increment

TROUSER | SLIM FIT | SHORT LENGTH

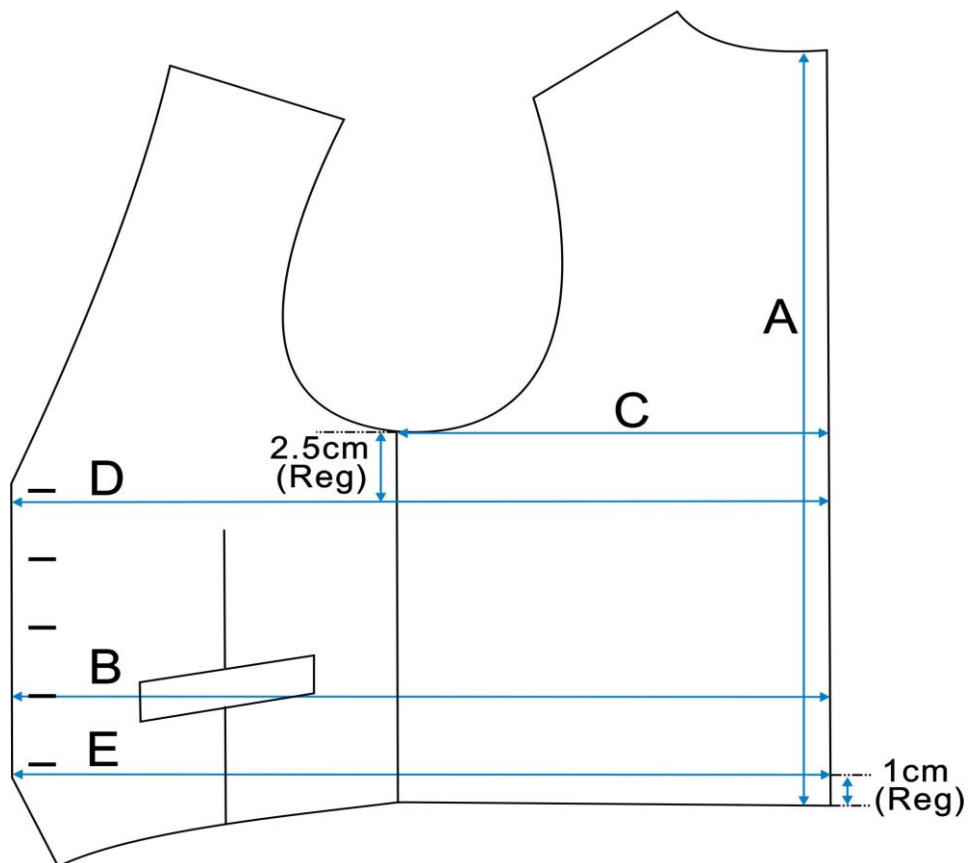
Size Euro / Inch	A 1/2 Waist	*B 1/2 Seat	*C 1/2 Crotch	*D 1/2 Thigh	*E 1/2 Knee	F 1/2 Foot	G Outseam Incl. WB	*I Rise	*K Front Rise	*J Back Rise
20 / 28S	37.0	45.7	30.5	27.6	21.6	18.3	92.7	19.7	20.6	36.1
21 / 30S	39.0	47.7	31.5	28.5	22.2	18.8	94.0	20.0	20.9	37.0
22 / 32S	41.0	49.7	32.6	29.4	22.8	19.3	95.3	20.3	21.2	38.0
23 / 33S	43.0	51.7	33.6	30.3	23.4	19.8	96.6	20.6	21.5	38.9
24 / 34S	45.0	53.7	34.7	31.2	24.0	20.3	97.9	20.9	21.8	39.9
25 / 36S	47.0	55.7	35.7	32.1	24.6	20.8	99.2	21.2	22.1	40.9
26 / 38S	49.0	57.7	36.8	33.0	25.2	21.3	100.5	21.5	22.4	41.8
27 / 40S	51.0	59.7	37.8	33.9	25.8	21.8	101.8	21.8	22.7	42.8
28 / 41S	53.0	61.7	38.9	34.8	26.4	22.3	103.1	22.1	23.0	43.7
29 / 42S	55.0	63.7	39.9	35.7	27.0	22.8	104.4	22.4	23.3	44.7
30 / 44S	57.0	65.7	41.0	36.6	27.6	23.3	105.7	22.7	23.6	45.7
31 / 46S	59.0	67.7	42.0	37.5	28.2	23.8	106.0	23.0	23.9	46.6
32 / 47S	61.0	69.7	43.1	38.4	28.8	24.3	106.3	23.3	24.2	47.6
33 / 48S	63.0	71.7	44.1	39.3	29.4	24.8	106.6	23.6	24.5	48.5
34 / 50S	65.0	73.7	45.2	40.2	30.0	25.3	106.9	23.9	24.8	49.5
35 / 52S	67.0	75.7	46.2	41.1	30.6	25.8	107.2	24.2	25.1	50.5



E: Size 50/34R S:30cm R:33cm L:35cm
adjust value 0.5cm per size increment

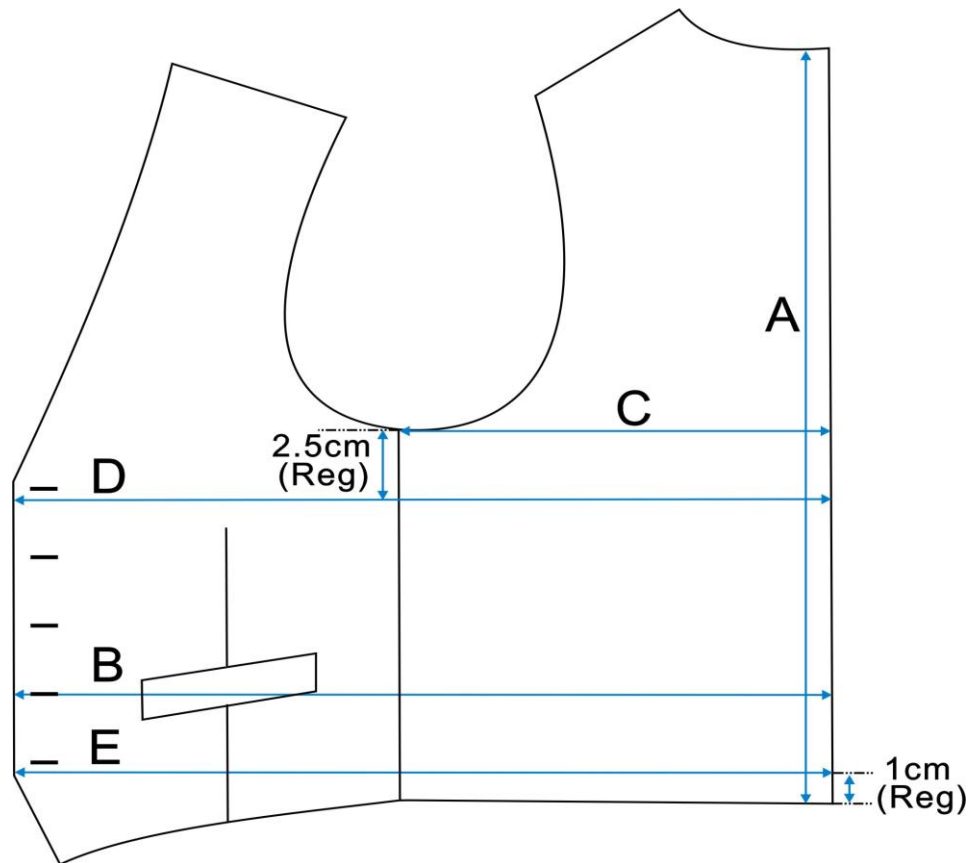
WAISTCOAT | SLIM FIT | REGULAR LENGTH

Size Euro / Inch	A Back Length	B 1/2 Waist	C 1/2 Blades	*D 1/2 Chest	*E 1/2 Bottom
42 / 34R	51.0	43.0	23.6	45.0	45.0
44 / 35R	52.0	45.0	24.7	47.0	47.0
46 / 37R	53.0	47.0	25.8	49.0	49.0
48 / 38R	54.0	49.0	26.9	51.0	51.0
50 / 40R	55.0	51.0	28.0	53.0	53.0
52 / 42R	56.0	53.0	29.1	55.0	55.0
54 / 43R	57.0	55.0	30.2	57.0	57.0
56 / 44R	58.0	57.0	31.3	59.0	59.0
58 / 46R	59.0	59.0	32.4	61.0	61.0
60 / 48R	60.0	61.0	33.5	63.0	63.0
62 / 50R	60.5	63.0	34.6	65.0	65.0
64 / 51R	61.0	65.0	35.7	67.0	67.0
66 / 52R	61.5	67.0	36.8	69.0	69.0
68 / 54R	62.0	69.0	37.9	71.0	71.0
70 / 55R	62.5	71.0	39.0	73.0	73.0



WAISTCOAT | SLIM FIT | LONG LENGTH

Size Euro / Inch	A Back Length	B 1/2 Waist	C 1/2 Blades	*D 1/2 Chest	*E 1/2 Bottom
82 / 34L	54.0	42.0	23.6	44.0	44.0
86 / 35L	55.0	44.0	24.7	46.0	46.0
90 / 37L	56.0	46.0	25.8	48.0	48.0
94 / 38L	57.0	48.0	26.9	50.0	50.0
98 / 40L	58.0	50.0	28.0	52.0	52.0
102 / 42L	59.0	52.0	29.1	54.0	54.0
106 / 43L	60.0	54.0	30.2	56.0	56.0
110 / 44L	61.0	56.0	31.3	58.0	58.0
114 / 46L	62.0	58.0	32.4	60.0	60.0
118 / 48L	63.0	60.0	33.5	62.0	62.0
122 / 50L	63.5	62.0	34.6	64.0	64.0
126 / 51L	64.0	64.0	35.7	66.0	66.0
130 / 52L	64.5	66.0	36.8	68.0	68.0
134 / 54L	65.0	68.0	37.9	70.0	70.0
138 / 55L	65.5	70.0	39.0	72.0	72.0



WAISTCOAT | SLIM FIT | SHORT LENGTH

Size Euro / Inch	A Back Length	B 1/2 Waist	C 1/2 Blades	*D 1/2 Chest	*E 1/2 Bottom
20 / 32S	47.0	43.0	22.5	45.0	45.0
21 / 34S	48.0	45.0	23.6	47.0	47.0
22 / 35S	49.0	47.0	24.7	49.0	49.0
23 / 37S	50.0	49.0	25.8	51.0	51.0
24 / 38S	51.0	51.0	26.9	53.0	53.0
25 / 40S	52.0	53.0	28.0	55.0	55.0
26 / 42S	53.0	55.0	29.1	57.0	57.0
27 / 43S	54.0	57.0	30.2	59.0	59.0
28 / 44S	55.0	59.0	31.3	61.0	61.0
29 / 46S	56.0	61.0	32.4	63.0	63.0
30 / 48S	57.0	63.0	33.5	65.0	65.0
31 / 50S	57.5	65.0	34.6	67.0	67.0
32 / 51S	58.0	67.0	35.7	69.0	69.0
33 / 52S	58.5	69.0	36.8	71.0	71.0
34 / 54S	59.0	71.0	37.9	73.0	73.0
35 / 55S	59.5	73.0	39.0	75.0	75.0

