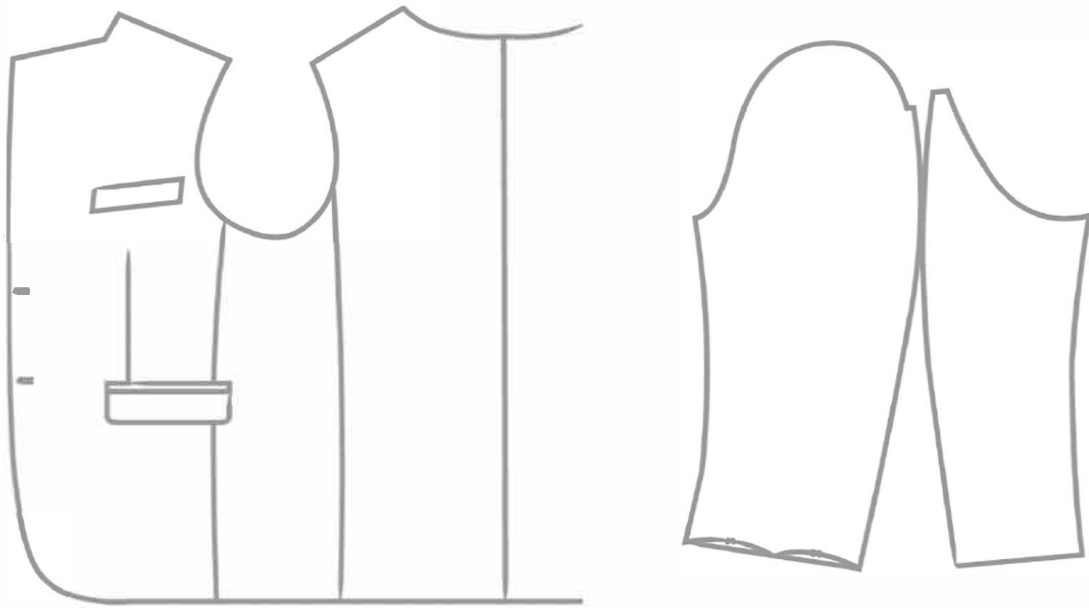


# Fit Tool Spec Charts

Slim Fit | Inches



REGULAR

Suit Euro	Jacket Inch	Trousers Inch
42	34R	28R
44	35R	30R
46	37R	32R
48	38R	33R
<b>50</b>	<b>40R</b>	<b>34R</b>
52	42R	36R
54	43R	38R
56	44R	40R
58	46R	41R
60	48R	42R
62	50R	44R
64	51R	46R
66	52R	47R
68	54R	48R
70	55R	50R

LONG

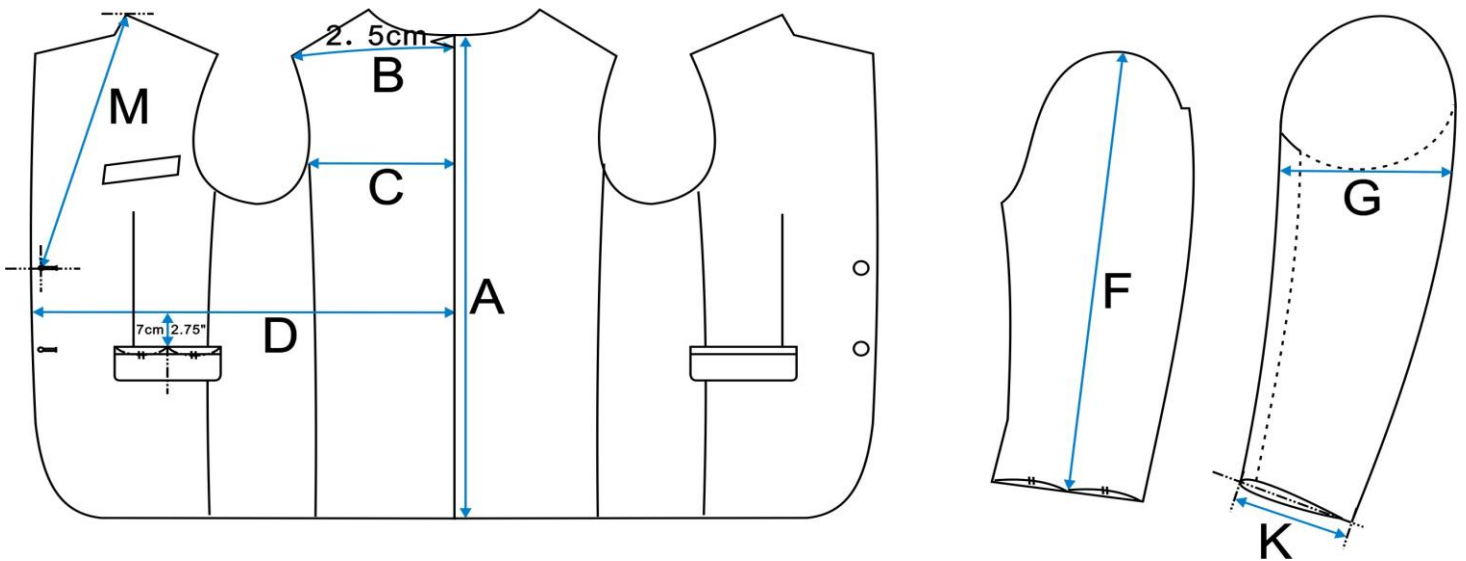
Suit Euro	Jacket Inch	Trousers Inch
82	34L	28L
86	35L	29L
90	37L	32L
94	38L	33L
<b>98</b>	<b>40L</b>	<b>34L</b>
102	42L	36L
106	43L	38L
110	44L	40L
114	46L	41L
118	48L	42L
122	50L	44L
126	51L	46L
130	52L	47L
134	54L	48L
138	55L	50L

SHORT

Suit Euro	Jacket Inch	Trousers Inch
20	32S	28S
21	34S	30S
22	35S	32S
23	37S	33S
<b>24</b>	38S	<b>34S</b>
<b>25</b>	<b>40S</b>	36S
26	42S	38S
27	43S	40S
28	44S	41S
29	46S	42S
30	48S	44S
31	50S	46S
32	51S	47S
33	52S	48S
34	54S	50S
35	55S	52S

### JACKET | SLIM FIT | REGULAR LENGTH

Size Euro / Inch	A Back Length	B 1/2 Shoulder	C 1/2 Blades	D 1/2 Girth	F Sleeve Outside*	*G 1/2 Upperarm	*K 1/2 Cuff	*M Top Button *
42 / 34R	28 3/8	8 1/8	8 1/8	17 1/8	23 7/8	7 1/2	5 3/8	16 5/8
44 / 35R	28 3/4	8 3/8	8 3/8	17 7/8	24 1/4	7 3/4	5 1/2	16 7/8
46 / 37R	29 1/8	8 5/8	8 5/8	18 3/4	24 1/2	7 7/8	5 5/8	17 1/4
48 / 38R	29 1/2	8 3/4	8 7/8	19 1/2	24 7/8	8 1/8	5 5/8	17 1/2
<b>50 / 40R</b>	<b>29 7/8</b>	<b>9</b>	<b>9</b>	<b>20 1/4</b>	<b>25 1/4</b>	<b>8 1/4</b>	<b>5 3/4</b>	<b>17 3/4</b>
52 / 42R	30 3/8	9 1/4	9 1/4	21 1/8	25 1/2	8 3/8	5 7/8	18
54 / 43R	30 3/4	9 3/8	9 1/2	21 7/8	25 7/8	8 5/8	5 7/8	18 1/4
56 / 44R	31 1/8	9 5/8	9 3/4	22 5/8	26 1/4	8 3/4	6	18 5/8
58 / 46R	31 1/2	9 7/8	10	23 3/8	26 1/2	9	6 1/8	18 7/8
60 / 48R	31 7/8	10	10 1/4	24 1/4	26 7/8	9 1/8	6 1/8	19 1/8
62 / 50R	32 1/8	10 1/4	10 1/2	25	27	9 3/8	6 1/4	19 3/8
64 / 51R	32 1/4	10 1/2	10 3/4	25 3/4	27 1/8	9 1/2	6 1/4	19 5/8
66 / 52R	32 1/2	10 5/8	11	26 5/8	27 1/4	9 5/8	6 3/8	20
68 / 54R	32 5/8	10 7/8	11 1/8	27 3/8	27 3/8	9 7/8	6 1/2	20 1/4
70 / 55R	32 7/8	11 1/8	11 3/8	28 1/8	27 1/2	10	6 1/2	20 1/2

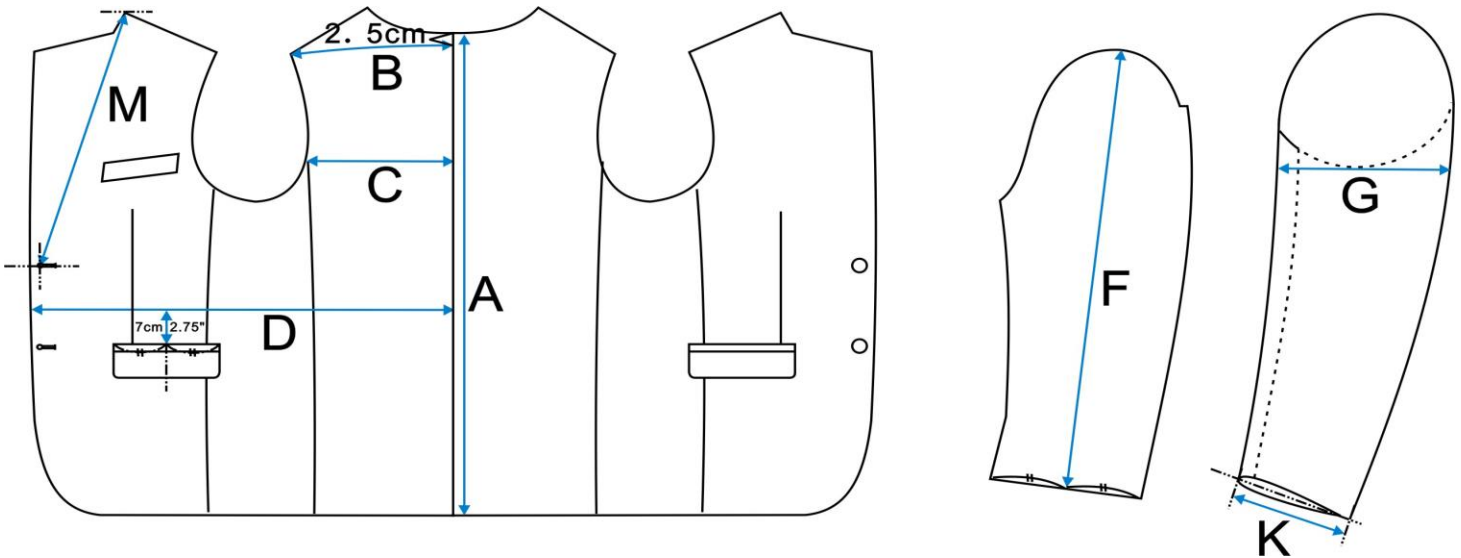


* Sleeve Length Outside Adjustment Considerations
Soft shoulder -3mm (1/8")
Roped shoulder +3mm
Unconstructed shoulder -3mm
Pleated shoulder +3mm

* Top Button Position Adjustment Considerations
Coat Length Adj. = 50% Effect
1 Button: + 1"
3 Button: - 3 1/2" 2.5 Button: -1"
DB 4/6 Button: + 1 1/8" DB 2 Button: +2 1/4"

### JACKET | SLIM FIT | LONG LENGTH

Size Euro / Inch	A Back Length	B 1/2 Shoulder	C 1/2 Blades	D 1/2 Girth	F Sleeve Outside*	*G 1/2 Upperarm	*K 1/2 Cuff	*M Top Button *
82 / 34L	29 1/2	8 1/8	8 1/8	16 3/4	24 7/8	7 1/2	5 3/8	17
86 / 35L	29 7/8	8 3/8	8 3/8	17 1/2	25 1/4	7 3/4	5 1/2	17 3/8
90 / 37L	30 3/8	8 5/8	8 5/8	18 1/4	25 1/2	7 7/8	5 5/8	17 5/8
94 / 38L	30 3/4	8 3/4	8 7/8	19 1/8	25 7/8	8 1/8	5 5/8	17 7/8
<b>98 / 40L</b>	<b>31 1/8</b>	<b>9</b>	<b>9</b>	<b>19 7/8</b>	<b>26 1/8</b>	<b>8 1/4</b>	<b>5 3/4</b>	<b>18 1/8</b>
102 / 42L	31 1/2	9 1/4	9 1/4	20 5/8	26 1/2	8 3/8	5 7/8	18 3/8
106 / 43L	31 7/8	9 3/8	9 1/2	21 1/2	26 7/8	8 5/8	5 7/8	18 3/4
110 / 44L	32 1/4	9 5/8	9 3/4	22 1/4	27 1/4	8 3/4	6	19
114 / 46L	32 5/8	9 7/8	10	23	27 1/2	9	6 1/8	19 1/4
118 / 48L	33 1/8	10	10 1/4	23 7/8	27 7/8	9 1/8	6 1/8	19 1/2
122 / 50L	33 1/4	10 1/4	10 1/2	24 5/8	28	9 3/8	6 1/4	19 3/4
126 / 51L	33 1/2	10 1/2	10 3/4	25 3/8	28 1/8	9 1/2	6 1/4	20 1/8
130 / 52L	33 5/8	10 5/8	11	26 1/8	28 1/4	9 5/8	6 3/8	20 3/8
134 / 54L	33 7/8	10 7/8	11 1/8	27	28 3/8	9 7/8	6 1/2	20 5/8
138 / 55L	34	11 1/8	11 3/8	27 3/4	28 1/2	10	6 1/2	20 7/8

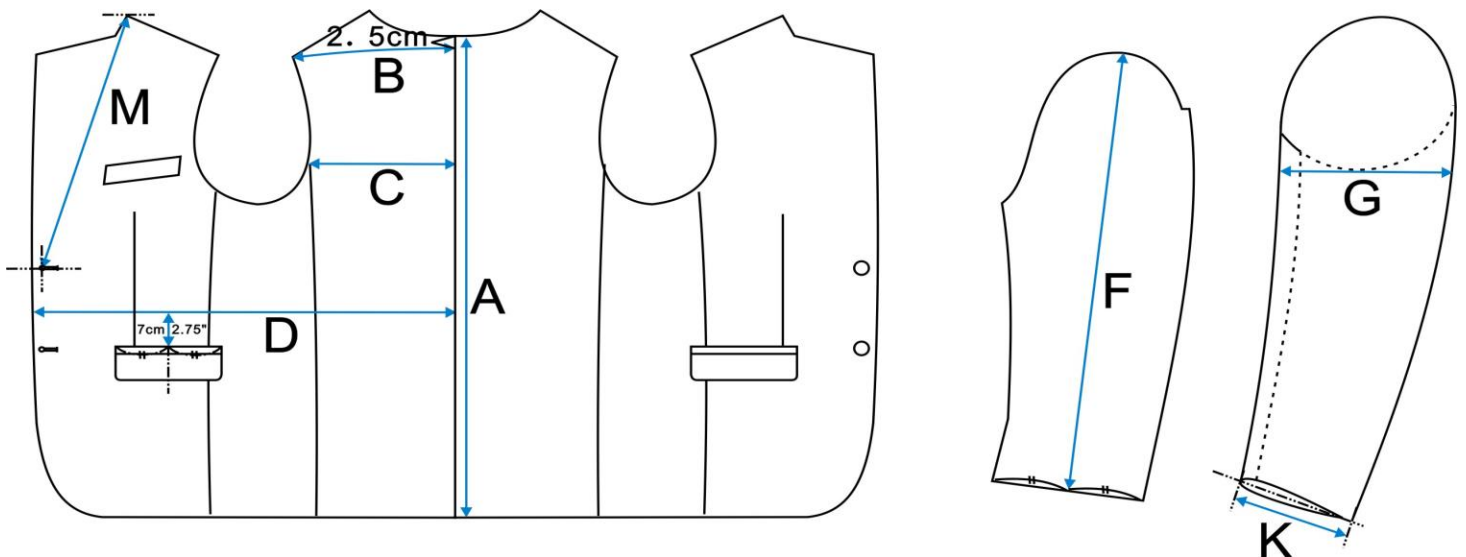


* Sleeve Length Outside Adjustment Considerations
Soft shoulder -3mm (1/8")
Roped shoulder +3mm
Unconstructed shoulder -3mm
Pleated shoulder +3mm

* Top Button Position Adjustment Considerations
Coat Length Adj. = 50% Effect
1 Button: + 1"
3 Button: - 3 1/2" 2.5 Button: -1"
DB 4/6 Button: + 1 1/8" DB 2 Button: +2 1/4"

### JACKET | SLIM FIT | SHORT LENGTH

Size Euro / Inch	A Back Length	B 1/2 Shoulder	C 1/2 Blades	D 1/2 Girth	F Sleeve Outside*	*G 1/2 Upperarm	*K 1/2 Cuff	*M Top Button *
20 / 32S	26 3/4	8	7	17 1/8	22 1/2	7 3/8	5 3/8	16
21 / 34S	27 1/8	8 1/8	7 3/8	17 7/8	22 7/8	7 1/2	5 3/8	16 1/4
22 / 35S	27 1/2	8 3/8	7 3/4	18 3/4	23 1/4	7 3/4	5 1/2	16 1/2
23 / 37S	28	8 5/8	8 1/4	19 1/2	23 1/2	7 7/8	5 5/8	16 3/4
24 / 38S	28 3/8	8 3/4	8 5/8	20 1/4	23 7/8	8 1/8	5 5/8	17 1/8
<b>25 / 40S</b>	<b>28 3/4</b>	<b>9</b>	<b>9</b>	<b>21 1/8</b>	<b>24 1/4</b>	<b>8 1/4</b>	<b>5 3/4</b>	<b>17 3/8</b>
26 / 42S	29 1/8	9 1/4	9 1/4	21 7/8	24 5/8	8 3/8	5 7/8	17 5/8
27 / 43S	29 1/2	9 3/8	9 1/2	22 5/8	24 7/8	8 5/8	5 7/8	17 7/8
28 / 44S	29 7/8	9 5/8	9 3/4	23 3/8	25 1/4	8 3/4	6	18 1/4
29 / 46S	30 3/8	9 7/8	10	24 1/4	25 1/2	9	6 1/8	18 1/2
30 / 48S	30 3/4	10	10 1/4	25	25 7/8	9 1/8	6 1/8	18 3/4
31 / 50S	30 7/8	10 1/4	10 1/2	25 3/4	26	9 3/8	6 1/4	19
32 / 51S	31 1/8	10 1/2	10 3/4	26 5/8	26 1/8	9 1/2	6 1/4	19 1/4
33 / 52S	31 1/4	10 5/8	11	27 3/8	26 1/4	9 5/8	6 3/8	19 5/8
34 / 54S	31 1/2	10 7/8	11 1/8	28 1/8	26 1/2	9 7/8	6 1/2	19 7/8
35 / 55S	31 3/4	11 1/8	11 3/8	28 7/8	26 5/8	10	6 1/2	20 1/8

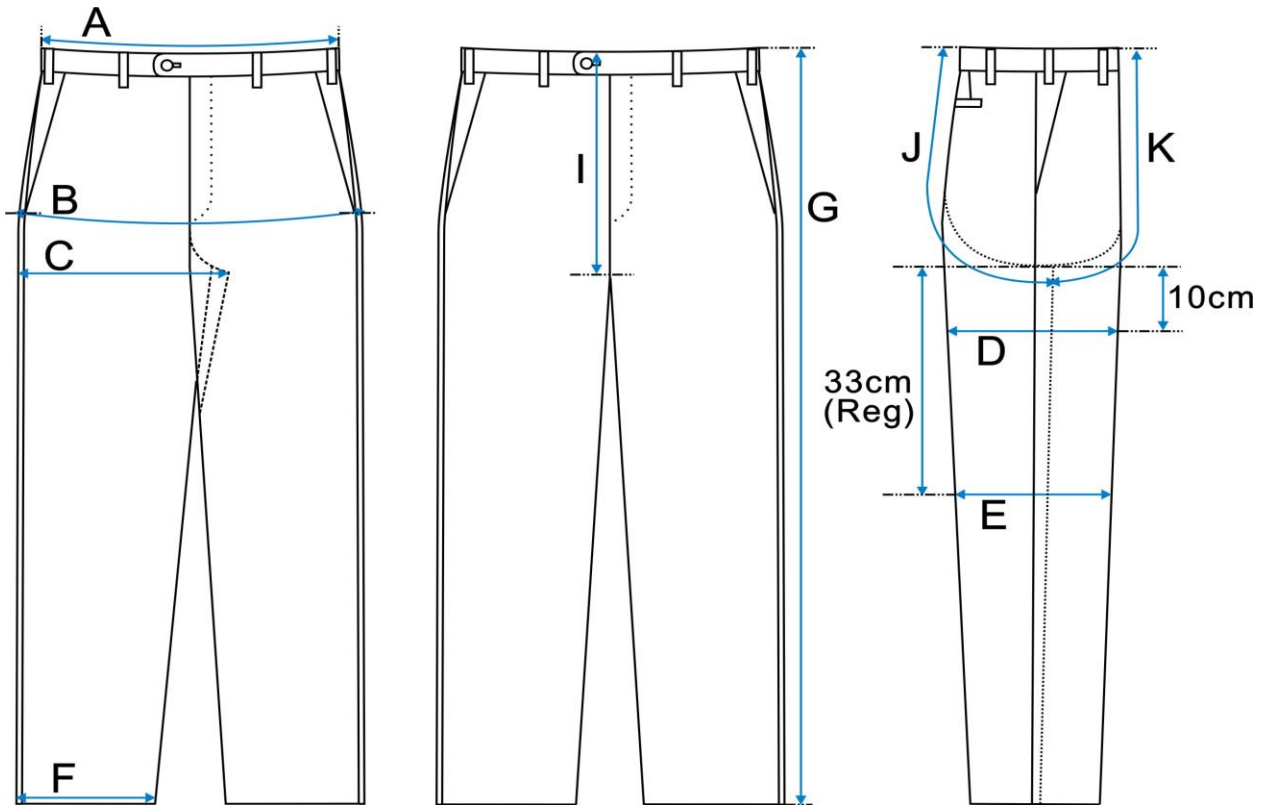


* Sleeve Length Outside Adjustment Considerations
Soft shoulder -3mm (1/8")
Roped shoulder +3mm
Unconstructed shoulder -3mm
Pleated shoulder +3mm

* Top Button Position Adjustment Considerations
Coat Length Adj. = 50% Effect
1 Button: + 1"
3 Button: - 3 1/2" 2.5 Button: -1"
DB 4/6 Button: + 1 1/8" DB 2 Button: +2 1/4"

TROUSER | SLIM FIT | REGULAR LENGTH

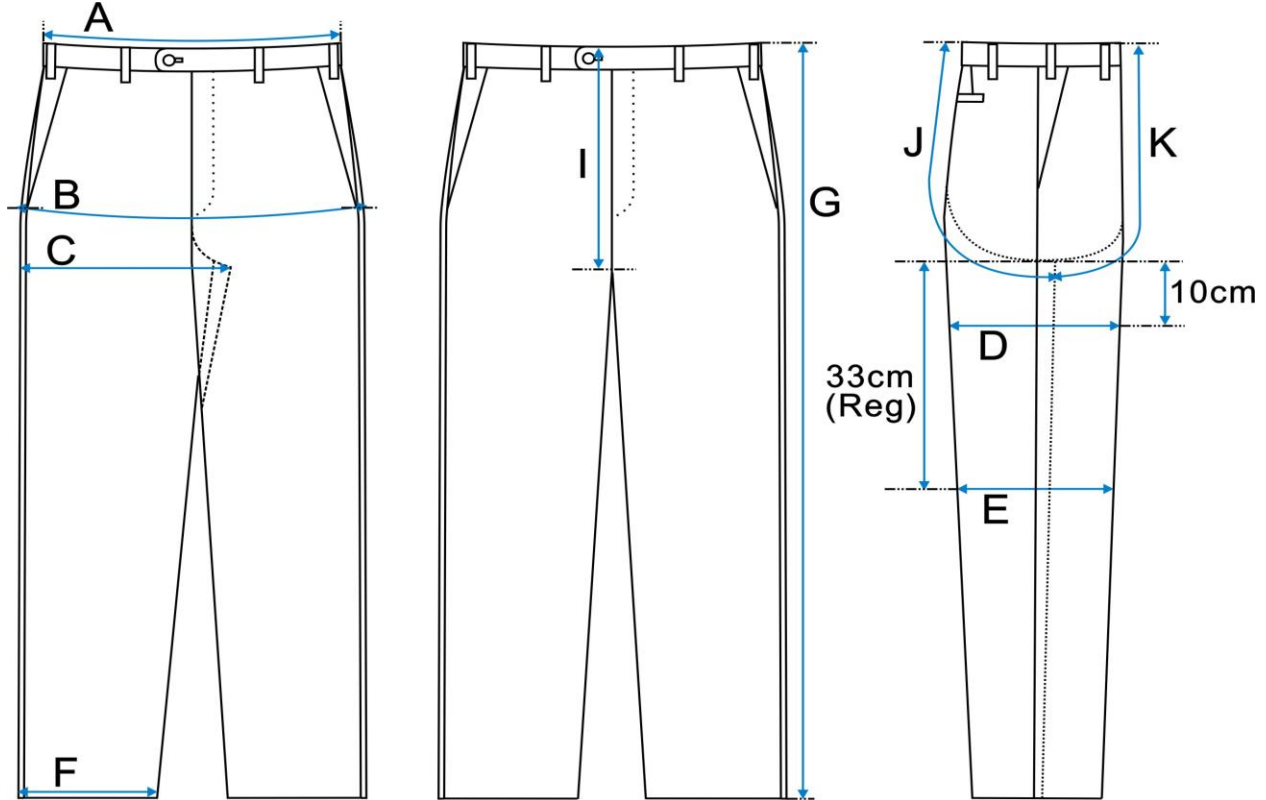
Size Euro / Inch	A 1/2 Waist	*B 1/2 Seat	*C 1/2 Crotch	*D 1/2 Thigh	*E 1/2 Knee	F 1/2 Foot	G Outseam Incl. WB	*I Rise	*K Front Rise	*J Back Rise
42 / 28R	14 5/8	18 1/8	12	10 7/8	8 5/8	7 1/4	38 3/4	8 1/8	8 5/8	14 3/4
44 / 30R	15 3/8	18 7/8	12 1/2	11 1/4	8 7/8	7 1/2	39 1/4	8 1/4	8 3/4	15 1/8
46 / 32R	16 1/8	19 5/8	12 7/8	11 5/8	9	7 5/8	39 3/4	8 1/4	8 7/8	15 1/2
48 / 33R	16 7/8	20 1/2	13 1/4	12	9 1/4	7 7/8	40 3/8	8 3/8	9	15 7/8
<b>50 / 34R</b>	<b>17 3/4</b>	<b>21 1/4</b>	<b>13 3/4</b>	<b>12 3/8</b>	<b>9 1/2</b>	<b>8 1/8</b>	<b>40 7/8</b>	<b>8 1/2</b>	<b>9 1/8</b>	<b>16 1/4</b>
52 / 36R	18 1/2	22	14 1/8	12 5/8	9 3/4	8 1/4	41 3/8	8 5/8	9 1/4	16 5/8
54 / 38R	19 1/4	22 7/8	14 1/2	13	10	8 1/2	41 7/8	8 3/4	9 3/8	17
56 / 40R	20 1/8	23 5/8	15	13 3/8	10 1/4	8 5/8	42 3/8	8 7/8	9 1/2	17 3/8
58 / 41R	20 7/8	24 3/8	15 3/8	13 3/4	10 1/2	8 7/8	42 7/8	9	9 5/8	17 3/4
60 / 42R	21 5/8	25 1/4	15 3/4	14 1/8	10 3/4	9	43 3/8	9 1/8	9 5/8	18 1/4
62 / 44R	22 1/2	26	16 1/8	14 1/2	11	9 1/4	43 1/2	9 1/4	9 3/4	18 1/2
64 / 46R	23 1/4	26 3/4	16 5/8	14 3/4	11 1/8	9 1/2	43 5/8	9 3/8	9 7/8	18 7/8
66 / 47R	24	27 1/2	17	15 1/8	11 3/8	9 5/8	43 3/4	9 1/2	10	19 1/4
68 / 48R	24 3/4	28 3/8	17 1/2	15 1/2	11 5/8	9 7/8	43 7/8	9 5/8	10 1/8	19 5/8
70 / 50R	25 5/8	29 1/8	17 7/8	15 7/8	11 7/8	10	44	9 3/4	10 1/4	20 1/8



E: Size 50/34R S:30cm R:33cm L:35cm  
adjust value 0.5cm per size increment

TROUSER | SLIM FIT | LONG LENGTH

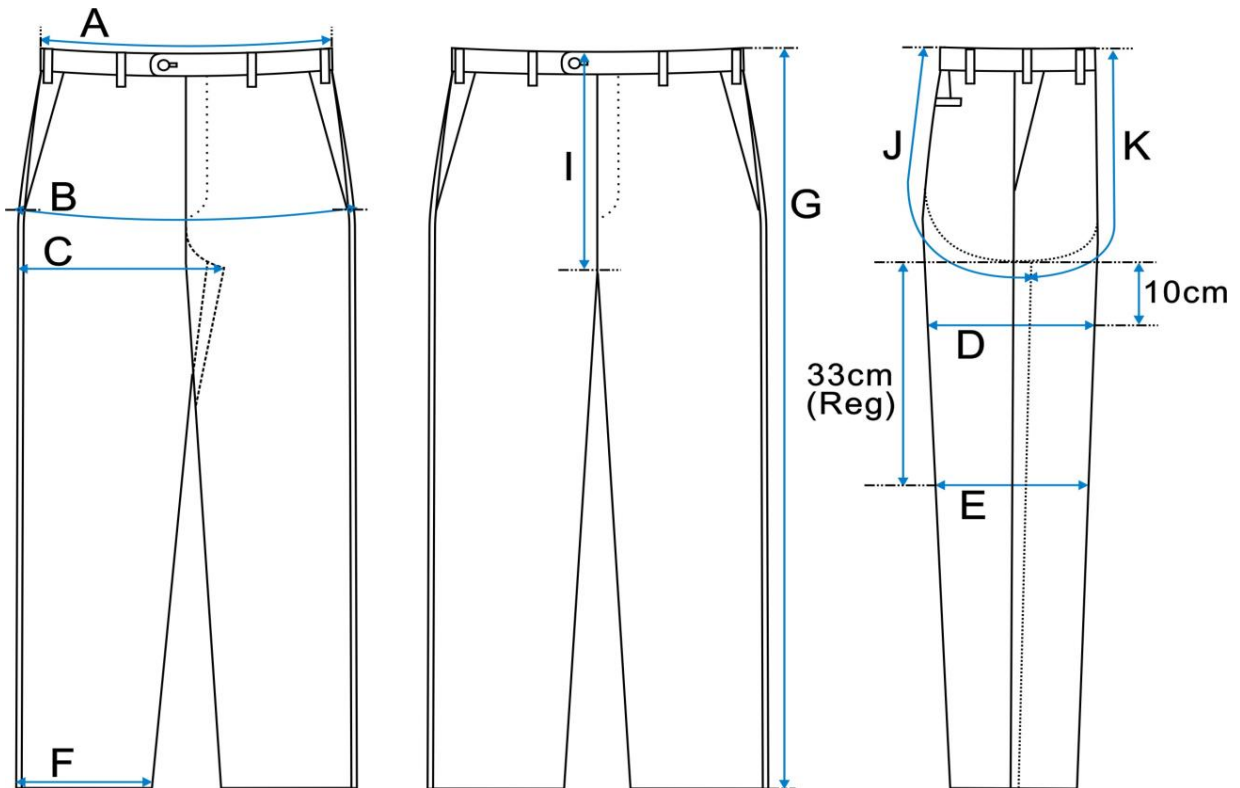
Size Euro / Inch	A 1/2 Waist	*B 1/2 Seat	*C 1/2 Crotch	*D 1/2 Thigh	*E 1/2 Knee	F 1/2 Foot	G Outseam Incl. WB	*I Rise	*K Front Rise	*J Back Rise
82 / 28L	14 1/8	17 3/4	11 7/8	10 3/4	8 1/2	7 1/4	40 1/2	8 1/4	8 7/8	15
86 / 29L	15	18 1/2	12 1/4	11 1/8	8 3/4	7 3/8	41 1/8	8 3/8	8 7/8	15 3/8
90 / 32L	15 3/4	19 1/4	12 5/8	11 1/2	9	7 5/8	41 5/8	8 1/2	9	15 3/4
94 / 33L	16 1/2	20 1/8	13 1/8	11 3/4	9 1/4	7 3/4	42 1/8	8 5/8	9 1/8	16 1/8
<b>98 / 34L</b>	<b>17 3/8</b>	<b>20 7/8</b>	<b>13 1/2</b>	<b>12 1/8</b>	<b>9 1/2</b>	<b>8</b>	<b>42 5/8</b>	<b>8 3/4</b>	<b>9 1/4</b>	<b>16 1/2</b>
102 / 36L	18 1/8	21 5/8	13 7/8	12 1/2	9 5/8	8 1/4	43 1/8	8 7/8	9 3/8	16 7/8
106 / 38L	18 7/8	22 1/2	14 3/8	12 7/8	9 7/8	8 3/8	43 5/8	9	9 1/2	17 1/4
110 / 40L	19 5/8	23 1/4	14 3/4	13 1/4	10 1/8	8 5/8	44 1/8	9 1/8	9 5/8	17 5/8
114 / 41L	20 1/2	24	15 1/8	13 5/8	10 3/8	8 3/4	44 5/8	9 1/4	9 3/4	18
118 / 42L	21 1/4	24 3/4	15 5/8	13 7/8	10 5/8	9	45 1/8	9 3/8	9 7/8	18 3/8
122 / 44L	22	25 5/8	16	14 1/4	10 7/8	9 1/8	45 1/4	9 1/2	10	18 3/4
126 / 46L	22 7/8	26 3/8	16 3/8	14 5/8	11 1/8	9 3/8	45 3/8	9 5/8	10 1/8	19 1/8
130 / 47L	23 5/8	27 1/8	16 3/4	15	11 3/8	9 5/8	45 1/2	9 5/8	10 1/4	19 1/2
134 / 48L	24 3/8	28	17 1/4	15 3/8	11 5/8	9 3/4	45 5/8	9 3/4	10 3/8	19 7/8
138 / 50L	25 1/4	28 3/4	17 5/8	15 3/4	11 3/4	10	45 3/4	9 7/8	10 1/2	20 1/4



E: Size 50/34R S:30cm R:33cm L:35cm  
adjust value 0.5cm per size increment

### TROUSER | SLIM FIT | SHORT LENGTH

Size Euro / Inch	A 1/2 Waist	*B 1/2 Seat	*C 1/2 Crotch	*D 1/2 Thigh	*E 1/2 Knee	F 1/2 Foot	G Outseam Incl. WB	*I Rise	*K Front Rise	*J Back Rise
20 / 28S	14 5/8	18	12	10 7/8	8 1/2	7 1/4	36 1/2	7 3/4	8 1/8	14 1/4
21 / 30S	15 3/8	18 3/4	12 3/8	11 1/4	8 3/4	7 3/8	37	7 7/8	8 1/4	14 5/8
22 / 32S	16 1/8	19 5/8	12 7/8	11 5/8	9	7 5/8	37 1/2	8	8 3/8	15
23 / 33S	16 7/8	20 3/8	13 1/4	11 7/8	9 1/4	7 3/4	38	8 1/8	8 1/2	15 3/8
<b>24 / 34S</b>	<b>17 3/4</b>	<b>21 1/8</b>	<b>13 5/8</b>	<b>12 1/4</b>	<b>9 1/2</b>	<b>8</b>	<b>38 1/2</b>	<b>8 1/4</b>	<b>8 5/8</b>	<b>15 3/4</b>
25 / 36S	18 1/2	21 7/8	14	12 5/8	9 5/8	8 1/4	39	8 3/8	8 3/4	16 1/8
26 / 38S	19 1/4	22 3/4	14 1/2	13	9 7/8	8 3/8	39 5/8	8 1/2	8 7/8	16 1/2
27 / 40S	20 1/8	23 1/2	14 7/8	13 3/8	10 1/8	8 5/8	40 1/8	8 5/8	8 7/8	16 7/8
28 / 41S	20 7/8	24 1/4	15 3/8	13 3/4	10 3/8	8 3/4	40 5/8	8 3/4	9	17 1/4
29 / 42S	21 5/8	25 1/8	15 3/4	14	10 5/8	9	41 1/8	8 7/8	9 1/8	17 5/8
30 / 44S	22 1/2	25 7/8	16 1/8	14 3/8	10 7/8	9 1/8	41 5/8	8 7/8	9 1/4	18
31 / 46S	23 1/4	26 5/8	16 1/2	14 3/4	11 1/8	9 3/8	41 3/4	9	9 3/8	18 3/8
32 / 47S	24	27 1/2	17	15 1/8	11 3/8	9 5/8	41 7/8	9 1/8	9 1/2	18 3/4
33 / 48S	24 3/4	28 1/4	17 3/8	15 1/2	11 5/8	9 3/4	42	9 1/4	9 5/8	19 1/8
34 / 50S	25 5/8	29	17 3/4	15 7/8	11 3/4	10	42 1/8	9 3/8	9 3/4	19 1/2
35 / 52S	26 3/8	29 3/4	18 1/4	16 1/8	12	10 1/8	42 1/4	9 1/2	9 7/8	19 7/8

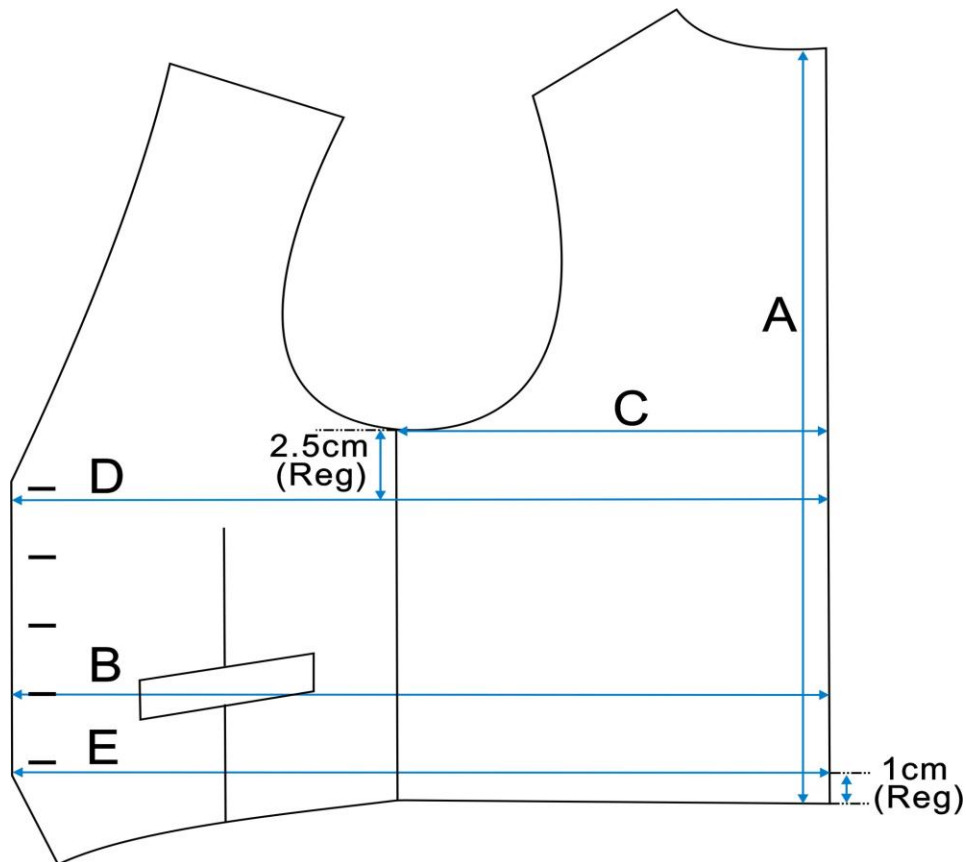


E: Size 50/34R S:30cm R:33cm L:35cm  
adjust value 0.5cm per size increment



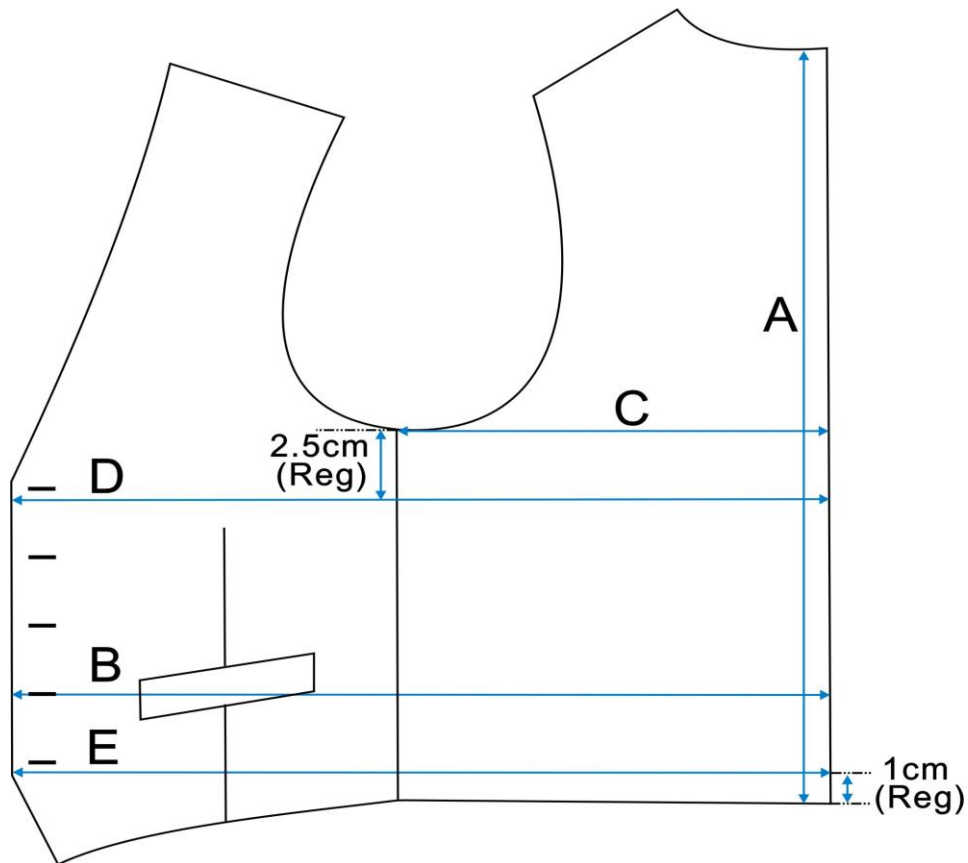
WAISTCOAT | SLIM FIT | REGULAR LENGTH

Size Euro / Inch	A Back Length	B 1/2 Waist	C 1/2 Blades	*D 1/2 Chest	*E 1/2 Bottom
42 / 34R	20 1/8	16 7/8	9 1/4	17 3/4	17 3/4
44 / 35R	20 1/2	17 3/4	9 3/4	18 1/2	18 1/2
46 / 37R	20 7/8	18 1/2	10 1/8	19 1/4	19 1/4
48 / 38R	21 1/4	19 1/4	10 5/8	20 1/8	20 1/8
<b>50 / 40R</b>	<b>21 5/8</b>	<b>20 1/8</b>	<b>11</b>	<b>20 7/8</b>	<b>20 7/8</b>
52 / 42R	22	20 7/8	11 1/2	21 5/8	21 5/8
54 / 43R	22 1/2	21 5/8	11 7/8	22 1/2	22 1/2
56 / 44R	22 7/8	22 1/2	12 3/8	23 1/4	23 1/4
58 / 46R	23 1/4	23 1/4	12 3/4	24	24
60 / 48R	23 5/8	24	13 1/4	24 3/4	24 3/4
62 / 50R	23 7/8	24 3/4	13 5/8	25 5/8	25 5/8
64 / 51R	24	25 5/8	14	26 3/8	26 3/8
66 / 52R	24 1/4	26 3/8	14 1/2	27 1/8	27 1/8
68 / 54R	24 3/8	27 1/8	14 7/8	28	28
70 / 55R	24 5/8	28	15 3/8	28 3/4	28 3/4



WAISTCOAT | SLIM FIT | LONG LENGTH

Size Euro / Inch	A Back Length	B 1/2 Waist	C 1/2 Blades	*D 1/2 Chest	*E 1/2 Bottom
82 / 34L	21 1/4	16 1/2	9 1/4	17 3/8	17 3/8
86 / 35L	21 5/8	17 3/8	9 3/4	18 1/8	18 1/8
90 / 37L	22	18 1/8	10 1/8	18 7/8	18 7/8
94 / 38L	22 1/2	18 7/8	10 5/8	19 5/8	19 5/8
<b>98 / 40L</b>	<b>22 7/8</b>	<b>19 5/8</b>	<b>11</b>	<b>20 1/2</b>	<b>20 1/2</b>
102 / 42L	23 1/4	20 1/2	11 1/2	21 1/4	21 1/4
106 / 43L	23 5/8	21 1/4	11 7/8	22	22
110 / 44L	24	22	12 3/8	22 7/8	22 7/8
114 / 46L	24 3/8	22 7/8	12 3/4	23 5/8	23 5/8
118 / 48L	24 3/4	23 5/8	13 1/4	24 3/8	24 3/8
122 / 50L	25	24 3/8	13 5/8	25 1/4	25 1/4
126 / 51L	25 1/4	25 1/4	14	26	26
130 / 52L	25 3/8	26	14 1/2	26 3/4	26 3/4
134 / 54L	25 5/8	26 3/4	14 7/8	27 1/2	27 1/2
138 / 55L	25 3/4	27 1/2	15 3/8	28 3/8	28 3/8



WAISTCOAT | SLIM FIT | SHORT LENGTH

Size Euro / Inch	A Back Length	B 1/2 Waist	C 1/2 Blades	*D 1/2 Chest	*E 1/2 Bottom
20 / 32S	18 1/2	16 7/8	8 7/8	17 3/4	17 3/4
21 / 34S	18 7/8	17 3/4	9 1/4	18 1/2	18 1/2
22 / 35S	19 1/4	18 1/2	9 3/4	19 1/4	19 1/4
23 / 37S	19 5/8	19 1/4	10 1/8	20 1/8	20 1/8
24 / 38S	20 1/8	20 1/8	10 5/8	20 7/8	20 7/8
<b>25 / 40S</b>	<b>20 1/2</b>	<b>20 7/8</b>	<b>11</b>	<b>21 5/8</b>	<b>21 5/8</b>
26 / 42S	20 7/8	21 5/8	11 1/2	22 1/2	22 1/2
27 / 43S	21 1/4	22 1/2	11 7/8	23 1/4	23 1/4
28 / 44S	21 5/8	23 1/4	12 3/8	24	24
29 / 46S	22	24	12 3/4	24 3/4	24 3/4
30 / 48S	22 1/2	24 3/4	13 1/4	25 5/8	25 5/8
31 / 50S	22 5/8	25 5/8	13 5/8	26 3/8	26 3/8
32 / 51S	22 7/8	26 3/8	14	27 1/8	27 1/8
33 / 52S	23	27 1/8	14 1/2	28	28
34 / 54S	23 1/4	28	14 7/8	28 3/4	28 3/4
35 / 55S	23 3/8	28 3/4	15 3/8	29 1/2	29 1/2

